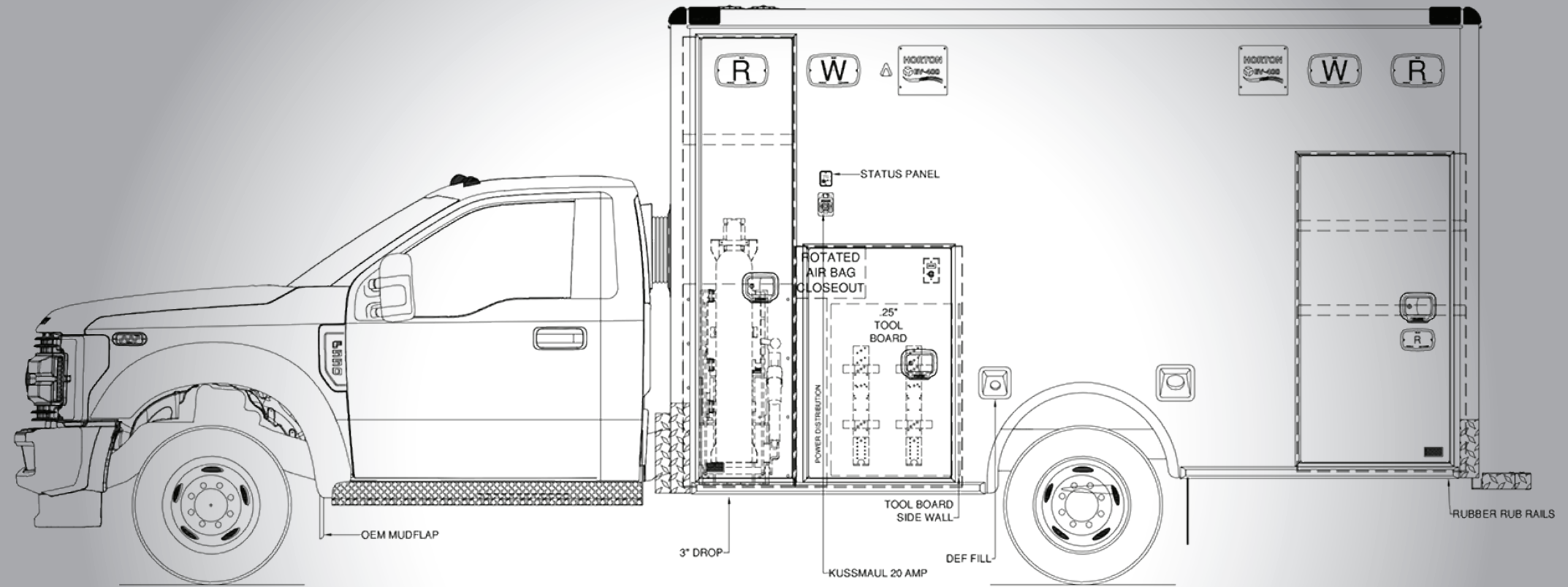


COOLTECH

NEW VEHICLE ON ORDER!



THIS UNIT SOLD BY CHUCK SIMPSON.

CONGRATULATIONS, UNITED COMMUNITIES VFD!

HORTON MODEL #457

2022 FORD F-550 4X4

COOL TECH 100,000 BTU CONDENSER

FRONT OF BODY PIONEER FLOOD LIGHT

DRAWERS IN MAIN CABINET WALL FOR STORAGE

I4G CONTROL PANEL RELOCATED TO HEAD OF BENCH

ZICO OTS